

120-20 2-jaw universal puller "VARIO" with spring-loaded fall protection, up to 250 mm clamping range, 150 mm clamping depth



APPLICATION IMAGE



DETAIL IMAGE



DESCRIPTION

The 2-jaw universal puller "VARIO" with spring-loaded fall protection is used for pulling bearings, gears, and discs in all common sizes for crafts, workshops, and industry. This allows any component seated on a shaft and accessible from the outside to be removed. Equipped with robust, always parallel puller legs, the puller ensures particularly safe, non-destructive dismantling for both external extraction and internal extraction. The fall protection prevents the puller legs from slipping off the cross beam.

RANGE OF APPLICATION

For pulling off bearings, gear wheels and discs

BENEFIT

- Fall protection protects against the slipping of the puller leg from the cross beam
- By pushing down the fall protection, a particularly quick turning of the puller legs is guaranteed.
- Application also on eccentric components through freely-moving, sliding pulling jaws on the cross beam.
- Adjustment to any clamping range between 10 mm – 250 mm
- Safe placement of the spindle through a rotating spindle tip on both smooth surfaces and during centering (Switch Technology)
- Optionally retrofittable from an external Puller to an internal extractor by turning the puller leg
- Anti-slip device on the spindle head for safe working with a wrench
- Spindle riser protects the threading

OPERATION

- Set the puller legs from the outside on the part to be pulled
- Slide the claws under the component
- Manually pull the spindle to fix it in place
- Move the hexagon drive (male) on the spindle head with a ratchet or a ring spanner until the component is released

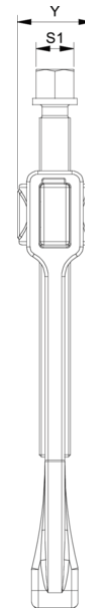
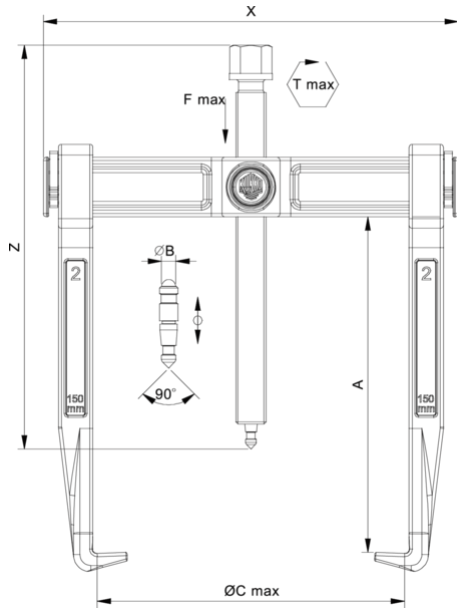
MASTER DATA

GTIN [EAN]	4021176918674
Country of origin	DE
Case material	Tool steel
Series	120
Net weight [kg]	3,5 kg
Package contents	1 piece
Packaging Act	PAP 21
Global sales capability given	Yes (REACH, RoHS, POP, PROP65, TSCA)

SPARE PARTS

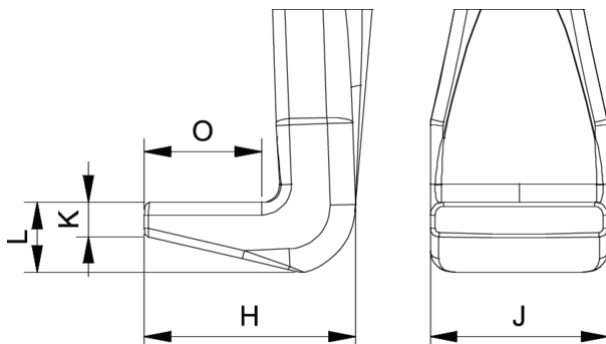
- 0-150-P_2 puller legs (pair)
- 120-20-T_Cross beam
- 621170_Mechanical spindle

2-jaw universal puller "VARIO" with spring-loaded fall protection, up to 250 mm clamping range, 150 mm clamping depth



Abbreviation	Attribut	Wert
X	Total width [mm]	316 mm
Y	Total depth [mm]	41,5 mm
Z	Total height [mm]	203 mm
A	Clamping depth outside pull-off [mm]	150 mm
S1	Width across flats [mm]	24 mm
Cmin	Span outside pull-off (min.) [mm]	10 mm
Cmax	Span outside pull-off (max.) [mm]	250 mm
K	Hook root thickness at the tip (claw thickness K) [mm]	5 mm
J	Hook base width (claw width J) [mm]	28,5 mm
O	Hook base depth usable (claw depth usable O) [mm]	20 mm
H	Total hook root depth (total claw depth H) [mm]	44 mm
L	Total claw thickness (L+1mm) (claw distance to base surface) [mm]	15 mm
Emin	Span inside pull-out (min.) [mm]	130 mm
Emax	Span inside pull-out (max.) [mm]	300 mm
Tmax	Max. torque [Nm]	100 Nm
Fmax	Max. tractive force [t]	3 t
Fmax	Max. tensile force [kN]	30 kN

Abbreviation	Attribut	Wert
X	Total width [mm]	316 mm
Y	Total depth [mm]	41,5 mm
Z	Total height [mm]	203 mm
A	Clamping depth outside pull-off [mm]	150 mm
S1	Width across flats [mm]	24 mm
Cmin	Span outside pull-off (min.) [mm]	10 mm
Cmax	Span outside pull-off (max.) [mm]	250 mm
K	Hook root thickness at the tip (claw thickness K) [mm]	5 mm
J	Hook base width (claw width J) [mm]	28,5 mm
O	Hook base depth usable (claw depth usable O) [mm]	20 mm
H	Total hook root depth (total claw depth H) [mm]	44 mm
L	Total claw thickness (L+1mm) (claw distance to base surface) [mm]	15 mm
Emin	Span inside pull-out (min.) [mm]	130 mm
Emax	Span inside pull-out (max.) [mm]	300 mm
Tmax	Max. torque [Nm]	100 Nm
Fmax	Max. tractive force [t]	3 t
Fmax	Max. tensile force [kN]	30 kN



Abbreviation	Attribut	Wert
X	Total width [mm]	316 mm
Y	Total depth [mm]	41,5 mm
Z	Total height [mm]	203 mm
A	Clamping depth outside pull-off [mm]	150 mm
S1	Width across flats [mm]	24 mm
Cmin	Span outside pull-off (min.) [mm]	10 mm
Cmax	Span outside pull-off (max.) [mm]	250 mm
K	Hook root thickness at the tip (claw thickness K) [mm]	5 mm
J	Hook base width (claw width J) [mm]	28,5 mm
O	Hook base depth usable (claw depth usable O) [mm]	20 mm
H	Total hook root depth (total claw depth H) [mm]	44 mm
L	Total claw thickness (L+1mm) (claw distance to base surface) [mm]	15 mm
Emin	Span inside pull-out (min.) [mm]	130 mm
Emax	Span inside pull-out (max.) [mm]	300 mm
Tmax	Max. torque [Nm]	100 Nm
Fmax	Max. tractive force [t]	3 t
Fmax	Max. tensile force [kN]	30 kN