

3-403-Px Narrow, quickly adjustable standard pulling jaws (pair, total length 440 mm)



DESCRIPTION

The pair of two narrow, quick adjustment pulling jaws is suitable for 2-jaw universal pullers. The narrow pulling jaws ensure that even tight and hard-to-reach interspaces can be accessed. The green knurled knobs provide the highest level of comfort and allow quick, tool-free loosening or fastening of the pulling jaws – even with wet or oily hands.

RANGE OF APPLICATION

As accessories for tight and poorly accessible gaps.

BENEFIT

- Due to the freely movable pulling jaws sliding on the cross beam, eccentric components can also be pulled off.
- Thanks to the knurling, a tool-free, quick release or movement of the pulling jaw is enabled.

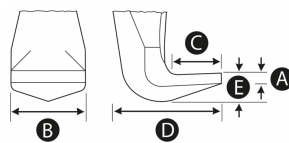
MASTER DATA

GTIN [EAN]	4021176013225
Country of origin	DE
Case material	Tool steel
Series	3-Px
Net weight [kg]	6,155 kg
Package contents	1 few
Packaging Act	PAP 20
Global sales capability given	Yes (REACH, RoHS, POP, PROP65, TSCA)

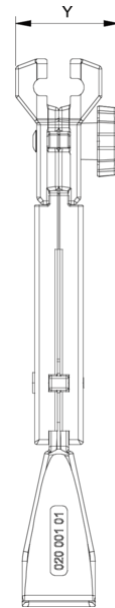
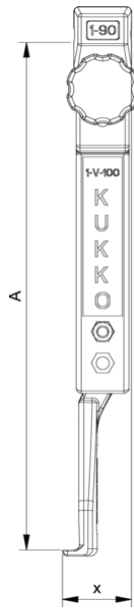
APPLICATION IMAGE



DETAIL IMAGE

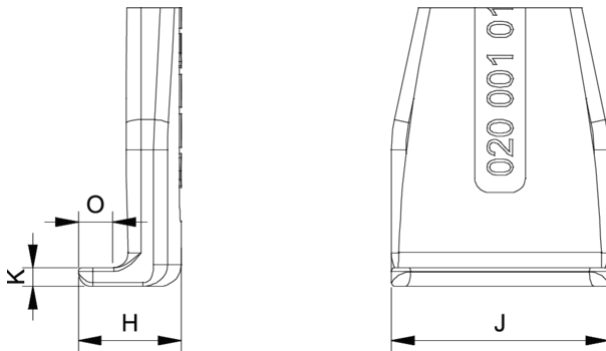


Narrow, quickly adjustable standard pulling jaws (pair, total length 440 mm)

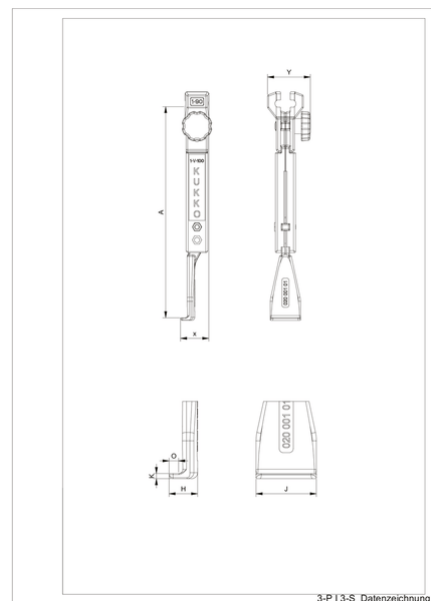


Abbreviation	Attribut	Wert
A	Clamping depth outside pull-off [mm]	400 mm
K	Hook root thickness at the tip (claw thickness K) [mm]	6,5 mm
J	Hook base width (claw width J) [mm]	35 mm
O	Hook base depth usable (claw depth usable O) [mm]	17 mm
H	Total hook root depth (total claw depth H) [mm]	52 mm
L	Total claw thickness (L+1mm) (claw distance to base surface) [mm]	6,5 mm
Z	Total length [mm]	440 mm

Abbreviation	Attribut	Wert
A	Clamping depth outside pull-off [mm]	400 mm
K	Hook root thickness at the tip (claw thickness K) [mm]	6,5 mm
J	Hook base width (claw width J) [mm]	35 mm
O	Hook base depth usable (claw depth usable O) [mm]	17 mm
H	Total hook root depth (total claw depth H) [mm]	52 mm
L	Total claw thickness (L+1mm) (claw distance to base surface) [mm]	6,5 mm
Z	Total length [mm]	440 mm



Abbreviation	Attribut	Wert
A	Clamping depth outside pull-off [mm]	400 mm
K	Hook root thickness at the tip (claw thickness K) [mm]	6,5 mm
J	Hook base width (claw width J) [mm]	35 mm
O	Hook base depth usable (claw depth usable O) [mm]	17 mm
H	Total hook root depth (total claw depth H) [mm]	52 mm
L	Total claw thickness (L+1mm) (claw distance to base surface) [mm]	6,5 mm
Z	Total length [mm]	440 mm



Abbreviation	Attribut	Wert
A	Clamping depth outside pull-off [mm]	400 mm
K	Hook root thickness at the tip (claw thickness K) [mm]	6,5 mm

J	Hook base width (claw width J) [mm]	35 mm
O	Hook base depth usable (claw depth usable O) [mm]	17 mm
H	Total hook root depth (total claw depth H) [mm]	52 mm
L	Total claw thickness (L+1mm) (claw distance to base surface) [mm]	6,5 mm
Z	Total length [mm]	440 mm