

3-202-P Quick adjustable standard pulling jaws (pair, clamping depth 200 mm)



DESCRIPTION

The pair of two quickly adjustable standard jaws is suitable for 2-jaw universal pullers. The robust pulling jaws guarantee especially safe and user-friendly pulling of ball bearings, gears, and discs.

RANGE OF APPLICATION

As accessories for particularly safe and user-friendly Pulling of bearings, gears, and discs.

BENEFIT

- Thanks to the freely moving pulling jaws sliding on the cross beam, even eccentric components can be pulled off.
- The knurling allows tool-free, quick loosening or repositioning of the pulling jaws.

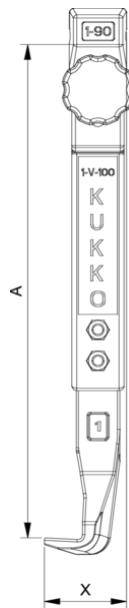
MASTER DATA

GTIN [EAN]	4021176732706
Country of origin	DE
Case material	Tool steel
Series	2-P
Net weight [kg]	3,33 kg
Package contents	1 few
Packaging Act	PAP 21
Global sales capability given	Yes (REACH, RoHS, POP, PROP65, TSCA)

DETAIL IMAGE

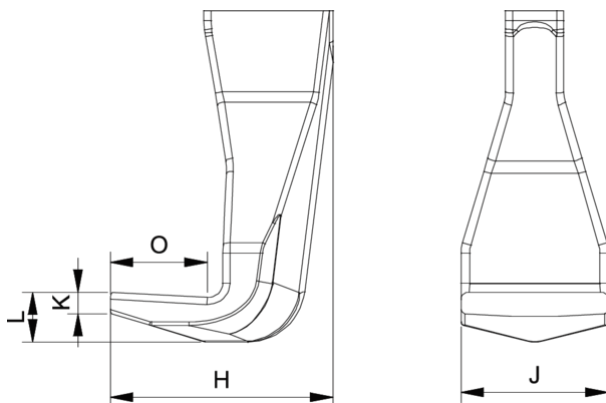


Quick adjustable standard pulling jaws (pair, clamping depth 200 mm)

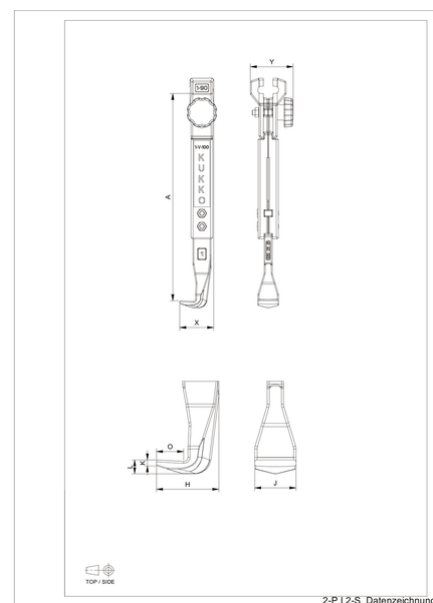


Abbreviation	Attribut	Wert
A	Clamping depth outside pull-off [mm]	200 mm
K	Hook root thickness at the tip (claw thickness K) [mm]	4 mm
J	Hook base width (claw width J) [mm]	35 mm
O	Hook base depth usable (claw depth usable O) [mm]	37 mm
H	Total hook root depth (total claw depth H) [mm]	67 mm
L	Total claw thickness (L+1mm) (claw distance to base surface) [mm]	20 mm
Z	Total length [mm]	255 mm

Abbreviation	Attribut	Wert
A	Clamping depth outside pull-off [mm]	200 mm
K	Hook root thickness at the tip (claw thickness K) [mm]	4 mm
J	Hook base width (claw width J) [mm]	35 mm
O	Hook base depth usable (claw depth usable O) [mm]	37 mm
H	Total hook root depth (total claw depth H) [mm]	67 mm
L	Total claw thickness (L+1mm) (claw distance to base surface) [mm]	20 mm
Z	Total length [mm]	255 mm



Abbreviation	Attribut	Wert
A	Clamping depth outside pull-off [mm]	200 mm
K	Hook root thickness at the tip (claw thickness K) [mm]	4 mm
J	Hook base width (claw width J) [mm]	35 mm
O	Hook base depth usable (claw depth usable O) [mm]	37 mm
H	Total hook root depth (total claw depth H) [mm]	67 mm
L	Total claw thickness (L+1mm) (claw distance to base surface) [mm]	20 mm
Z	Total length [mm]	255 mm



Abbreviation	Attribut	Wert
A	Clamping depth outside pull-off [mm]	200 mm
K	Hook root thickness at the tip (claw thickness K) [mm]	4 mm

J	Hook base width (claw width J) [mm]	35 mm
O	Hook base depth usable (claw depth usable O) [mm]	37 mm
H	Total hook root depth (total claw depth H) [mm]	67 mm
L	Total claw thickness (L+1mm) (claw distance to base surface) [mm]	20 mm
Z	Total length [mm]	255 mm