

2-303-P Narrow, quickly adjustable standard pulling jaws (pair, clamping depth 300 mm)



DESCRIPTION

The pair of two narrow, quick adjustment pulling jaws is suitable for 2-jaw universal pullers. The narrow pulling jaws ensure that even tight and hard-to-reach spaces can be accessed.

RANGE OF APPLICATION

As accessories for tight and poorly accessible gaps.

BENEFIT

- Thanks to the freely moving pulling jaws sliding on the cross beam, even eccentric components can be pulled off.
- Thanks to the knurling, tool-free and quick loosening or moving of the pulling jaws is possible.

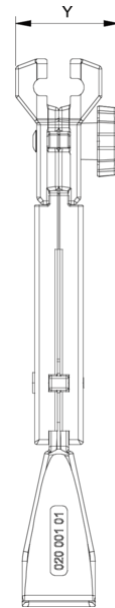
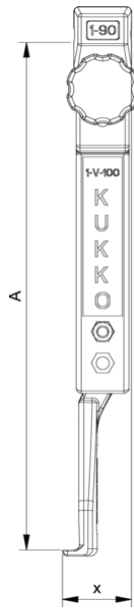
MASTER DATA

GTIN [EAN]	4021176973857
Country of origin	DE
Case material	Tool steel
Series	3-P
Net weight [kg]	2,58 kg
Package contents	1 few
Packaging Act	PAP 21
Global sales capability given	Yes (REACH, RoHS, POP, PROP65, TSCA)

DETAIL IMAGE

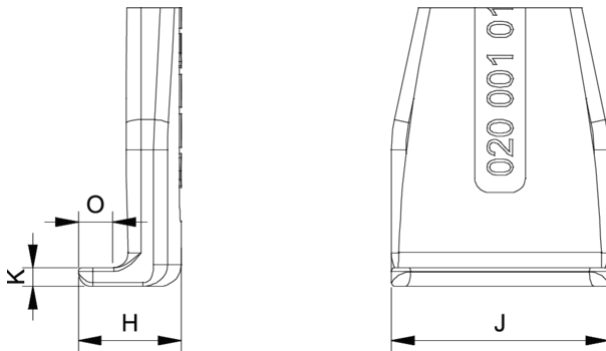


Narrow, quickly adjustable standard pulling jaws (pair, clamping depth 300 mm)

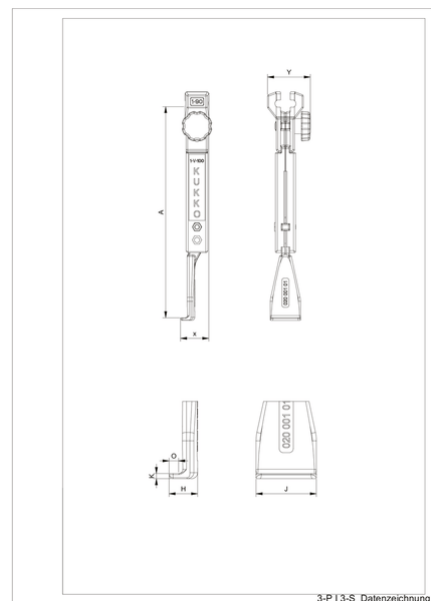


Abbreviation	Attribut	Wert
A	Clamping depth outside pull-off [mm]	300 mm
K	Hook root thickness at the tip (claw thickness K) [mm]	4 mm
J	Hook base width (claw width J) [mm]	32 mm
O	Hook base depth usable (claw depth usable O) [mm]	8 mm
H	Total hook root depth (total claw depth H) [mm]	19 mm
L	Total claw thickness (L+1mm) (claw distance to base surface) [mm]	4 mm
Z	Total length [mm]	336 mm

Abbreviation	Attribut	Wert
A	Clamping depth outside pull-off [mm]	300 mm
K	Hook root thickness at the tip (claw thickness K) [mm]	4 mm
J	Hook base width (claw width J) [mm]	32 mm
O	Hook base depth usable (claw depth usable O) [mm]	8 mm
H	Total hook root depth (total claw depth H) [mm]	19 mm
L	Total claw thickness (L+1mm) (claw distance to base surface) [mm]	4 mm
Z	Total length [mm]	336 mm



Abbreviation	Attribut	Wert
A	Clamping depth outside pull-off [mm]	300 mm
K	Hook root thickness at the tip (claw thickness K) [mm]	4 mm
J	Hook base width (claw width J) [mm]	32 mm
O	Hook base depth usable (claw depth usable O) [mm]	8 mm
H	Total hook root depth (total claw depth H) [mm]	19 mm
L	Total claw thickness (L+1mm) (claw distance to base surface) [mm]	4 mm
Z	Total length [mm]	336 mm



Abbreviation	Attribut	Wert
A	Clamping depth outside pull-off [mm]	300 mm
K	Hook root thickness at the tip (claw thickness K) [mm]	4 mm

J	Hook base width (claw width J) [mm]	32 mm
O	Hook base depth usable (claw depth usable O) [mm]	8 mm
H	Total hook root depth (total claw depth H) [mm]	19 mm
L	Total claw thickness (L+1mm) (claw distance to base surface) [mm]	4 mm
Z	Total length [mm]	336 mm