

2-152-Sx Quick adjustable standard pulling jaws (set, clamping depth 150 mm)



DESCRIPTION

The set of three quick adjustment standard jaws is suitable for 3-jaw universal pullers. The robust pulling jaws guarantee particularly safe pulling of bearings, gears, and discs. The green knurled knobs stand for maximum user comfort and enable quick, tool-free loosening or fastening of the pulling jaws, even with wet or oily hands.

RANGE OF APPLICATION

Suitable for 3-arm universal pullers

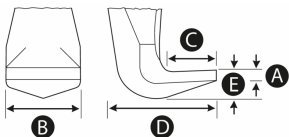
BENEFIT

- Due to the freely movable pulling jaws sliding on the cross beam, eccentric components can also be pulled off.
- Thanks to the knurling, a tool-free, quick release or movement of the pulling jaw is enabled.

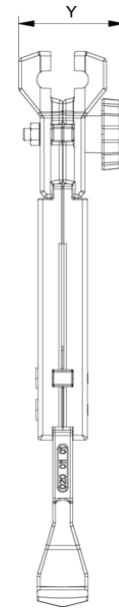
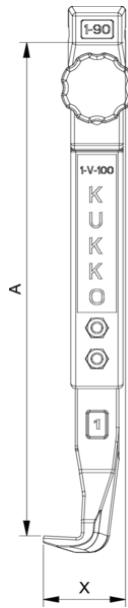
MASTER DATA

GTIN [EAN]	4021176061363
Country of origin	DE
Case material	Tool steel
Series	2-Sx
Net weight [kg]	2,75 kg
Package contents	1 set
Packaging Act	PAP 20
Global sales capability given	Yes (REACH, RoHS, POP, PROP65, TSCA)

DETAIL IMAGE

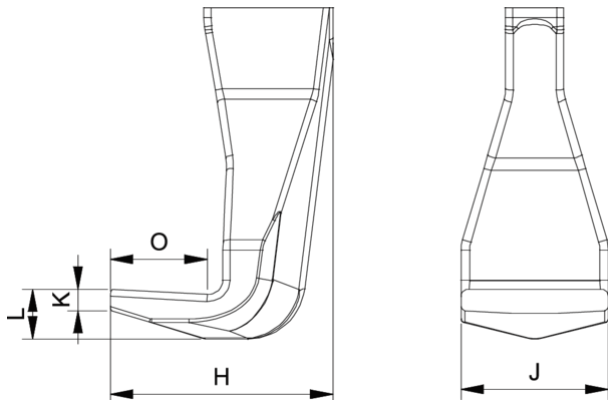


Quick adjustable standard pulling jaws (set, clamping depth 150 mm)

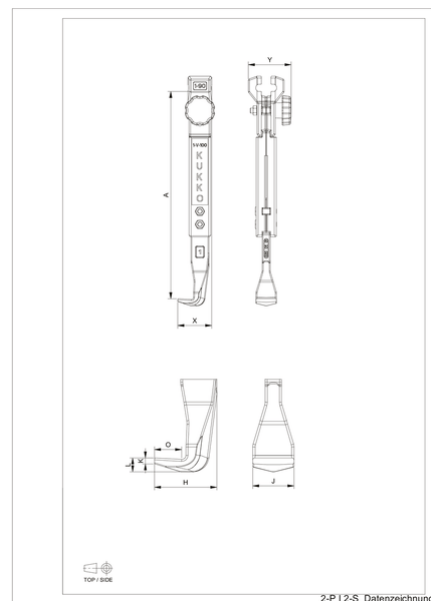


Abbreviation	Attribut	Wert
A	Clamping depth outside pull-off [mm]	150 mm
K	Hook root thickness at the tip (claw thickness K) [mm]	4 mm
J	Hook base width (claw width J) [mm]	24 mm
O	Hook base depth usable (claw depth usable O) [mm]	18 mm
H	Total hook root depth (total claw depth H) [mm]	40 mm
L	Total claw thickness (L+1mm) (claw distance to base surface) [mm]	9 mm
Z	Total length [mm]	193 mm

Abbreviation	Attribut	Wert
A	Clamping depth outside pull-off [mm]	150 mm
K	Hook root thickness at the tip (claw thickness K) [mm]	4 mm
J	Hook base width (claw width J) [mm]	24 mm
O	Hook base depth usable (claw depth usable O) [mm]	18 mm
H	Total hook root depth (total claw depth H) [mm]	40 mm
L	Total claw thickness (L+1mm) (claw distance to base surface) [mm]	9 mm
Z	Total length [mm]	193 mm



Abbreviation	Attribut	Wert
A	Clamping depth outside pull-off [mm]	150 mm
K	Hook root thickness at the tip (claw thickness K) [mm]	4 mm
J	Hook base width (claw width J) [mm]	24 mm
O	Hook base depth usable (claw depth usable O) [mm]	18 mm
H	Total hook root depth (total claw depth H) [mm]	40 mm
L	Total claw thickness (L+1mm) (claw distance to base surface) [mm]	9 mm
Z	Total length [mm]	193 mm



Abbreviation	Attribut	Wert
A	Clamping depth outside pull-off [mm]	150 mm
K	Hook root thickness at the tip (claw thickness K) [mm]	4 mm

J	Hook base width (claw width J) [mm]	24 mm
O	Hook base depth usable (claw depth usable O) [mm]	18 mm
H	Total hook root depth (total claw depth H) [mm]	40 mm
L	Total claw thickness (L+1mm) (claw distance to base surface) [mm]	9 mm
Z	Total length [mm]	193 mm